

# Weaver Hoist Worksheet

## Cover Sheet

### Parts Needed

- Standard Weaver Hoist
- Weaver Hoist/Leaver Deluxe
- Heavy Duty Davit Heads
- \_\_\_\_\_ Raised HD Davit Heads
- \_\_\_\_\_ Extended HD Davit Heads
- \_\_\_\_\_ Off Set HD Davit Heads
- \_\_\_\_\_ Snap Up HD Davit Heads
- Heavy Duty Transom Arc
- Front Arc

### Notes:

---

---

---

---

---

---

---



**Weaver**  
Marine Products

Weaver Industries, Inc.

6570 W Boekel Rd · Rathdrum, ID 83858

(800) 367-4062 · (208) 687-3982 · Fax (208) 687-0782

[www.weaverindustries.com](http://www.weaverindustries.com)

Name: \_\_\_\_\_

Address: \_\_\_\_\_

City: \_\_\_\_\_ ST: \_\_\_\_\_ Zip: \_\_\_\_\_

Phone Day: \_\_\_\_\_ Eve: \_\_\_\_\_

Dealer: \_\_\_\_\_

P.O.# \_\_\_\_\_

# Yacht Specification Sheet

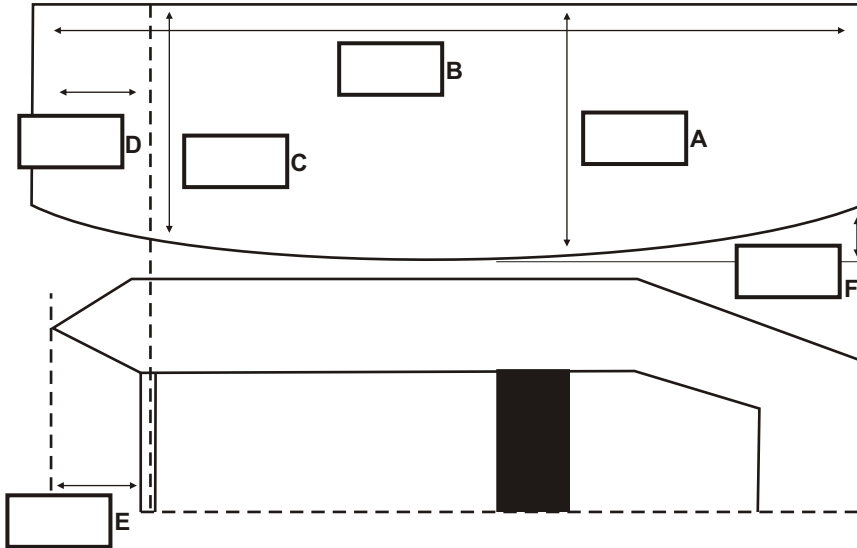
## Main Vessel

Make: \_\_\_\_\_ Model: \_\_\_\_\_ Year: \_\_\_\_\_  
 Length: \_\_\_\_\_ Beam: \_\_\_\_\_ Top of Swim Platform to Waterline: \_\_\_\_\_

Swim Platform Type:  Fiberglass /  Slotted /  Wood /  Enclosed /  Aluminum

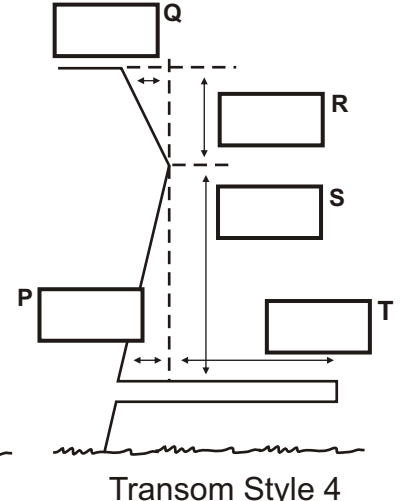
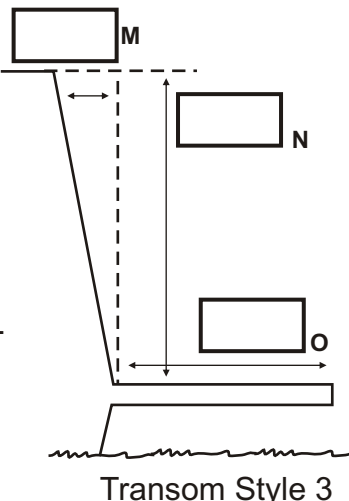
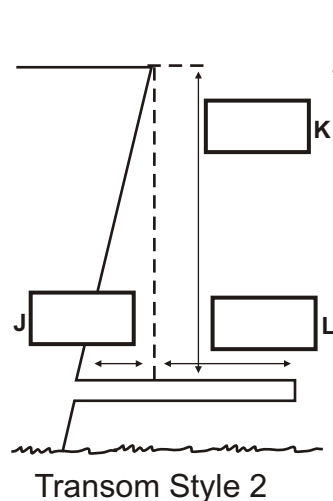
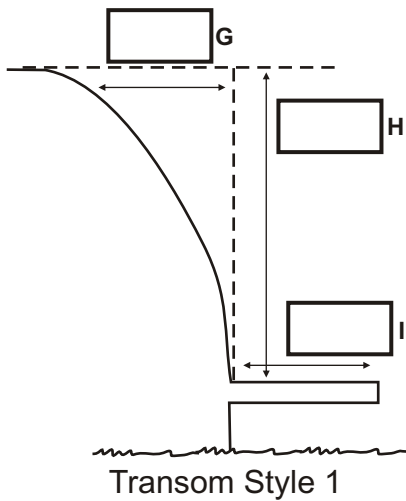
## Tower Placement

Port Side Mount       Starboard Side Mount



### Please Fill in the Boxes

- A - Depth of swim platform by the Bow of the dinghy:
- B - Width of swim platform:
- C - Depth of swim platform by the transom of the dinghy:
- D - If you have the dinghy centered on your swim platform what is the distance from the edge of the swim platform to the transom of the dinghy:
- F - How much curve to the swim platform:
- G/T - Fill in the boxes that look like your transom of your yacht:



**Weaver**  
Marine Products

Weaver Industries, Inc.

6570 W Boekel Rd · Rathdrum, ID 83858

(800) 367-4062 · (208) 687-3982 · Fax (208) 687-0782

[www.weaverindustries.com](http://www.weaverindustries.com)

Name: \_\_\_\_\_

Address: \_\_\_\_\_

City: \_\_\_\_\_ ST: \_\_\_\_\_ Zip: \_\_\_\_\_

Phone Day: \_\_\_\_\_ Eve: \_\_\_\_\_

Dealer: \_\_\_\_\_

P.O.# \_\_\_\_\_

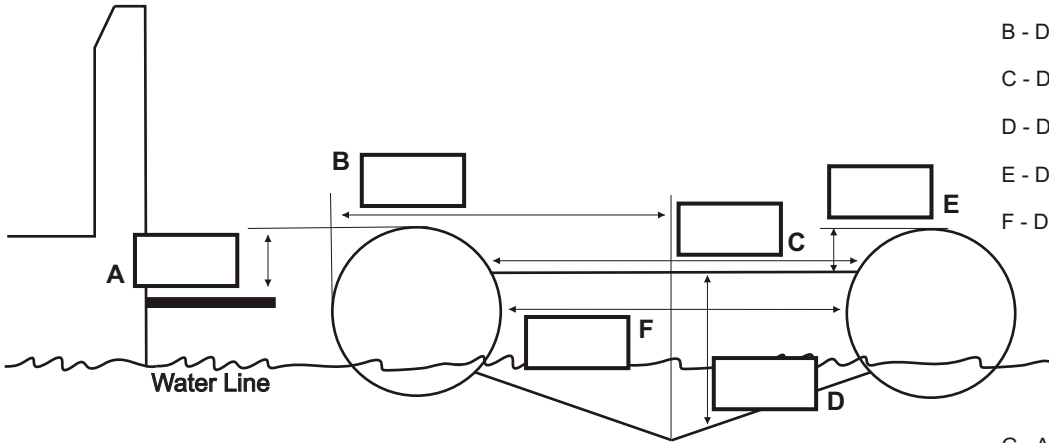
Weaver industries, is not responsible for any damage occurred from the dinghy and the motor being too heavy for the swim platform. We strongly recommend that you get the maximum weight of the swim platform load confirmed by the Manufacture or Dealer of your yacht.

# Dinghy Specification Sheet

## Dinghy

Make: \_\_\_\_\_ Model: \_\_\_\_\_ Year: \_\_\_\_\_  
 Length: \_\_\_\_\_ Beam: \_\_\_\_\_ Transom Thickness: \_\_\_\_\_  
 Tube Diameter: \_\_\_\_\_ Dinghy Weight: \_\_\_\_\_ Steering Console: YES or NO

### Please Fill in the Boxes



A - Distance from Top of Tube to Swim Platform.  
 Take measurement with you and motor mounted  
 in the dinghy: **Above / Below / Level (circle one)**:

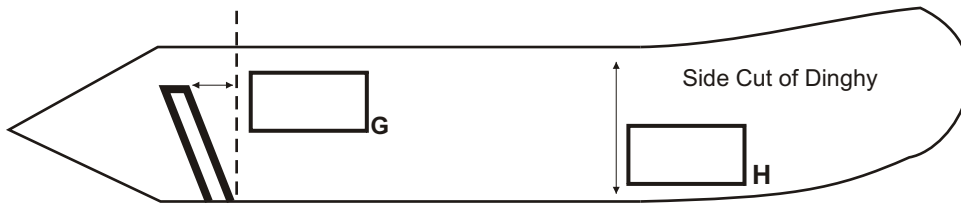
B - Distance from Outer Tube to Center of Transom:

C - Distance Straight Across Top of Transom:

D - Distance from Top of Transom to Floor:

E - Distance from Top of Tubes to Top of Transom:

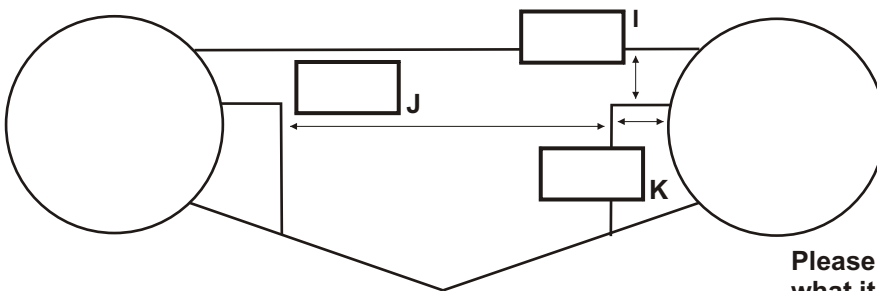
F - Distance from inside tube to inside tube:



G - Angle of the Transom or the distance in inches:

H - Distance from top of tube to the floor:

### Looking inside transom - Only fill out if you have brace from the floor to the transom of the dinghy



I - Distance from top of transom to top of brace

J - Distance between the two braces

K - Distance from tube to outer brace

Please take pictures of the Transom so we can see  
 what it looks like: email to [sales@weaverindustries.com](mailto:sales@weaverindustries.com)



**Weaver**  
 Marine Products

Weaver Industries, Inc.

6570 W Boekel Rd · Rathdrum, ID 83858

(800) 367-4062 · (208) 687-3982 · Fax (208) 687-0782

[www.weaverindustries.com](http://www.weaverindustries.com)

Name: \_\_\_\_\_

Address: \_\_\_\_\_

City: \_\_\_\_\_ ST: \_\_\_\_\_ Zip: \_\_\_\_\_

Phone Day: \_\_\_\_\_ Eve: \_\_\_\_\_

Dealer: \_\_\_\_\_

P.O.# \_\_\_\_\_

Weaver industries, is not responsible for any damage occurred from the dinghy and the motor being too heavy for the swim platform. We strongly recommend that you get the maximum weight of the swim platform load confirmed by the Manufacture or Dealer of your yacht.

# Motor Specification Sheet

## Outboard Motor

Make: \_\_\_\_\_ Year: \_\_\_\_\_ HP: \_\_\_\_\_ 2 Stroke / 4 Stroke

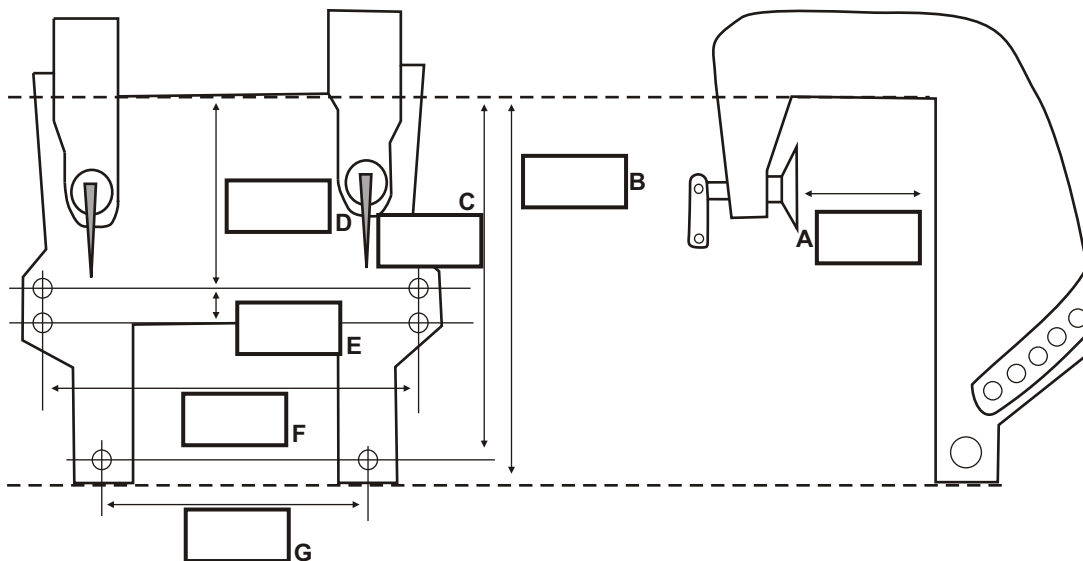
Shaft Length: \_\_\_\_\_ Engine Weight \_\_\_\_\_

Electric Start: YES or NO

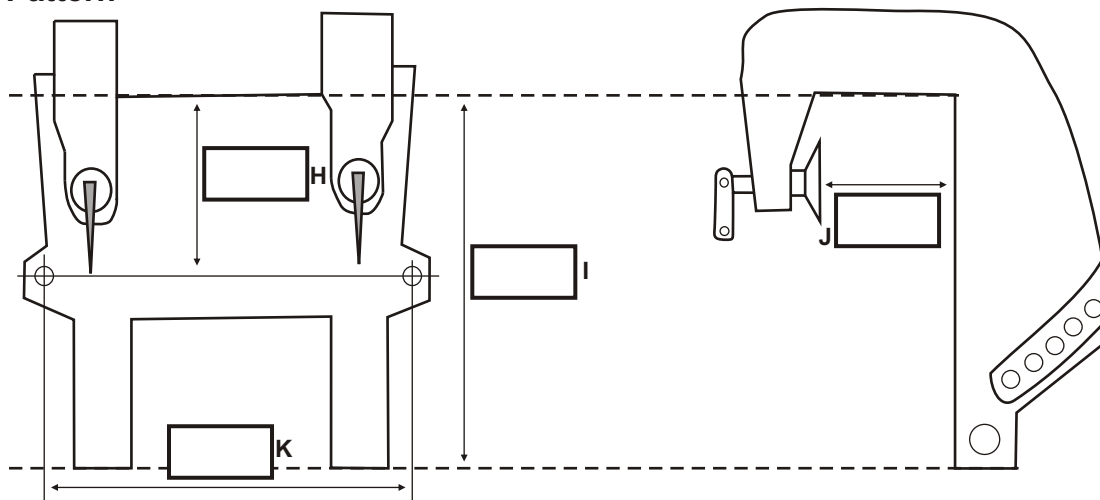
Power Tilt: YES or NO

### Typical 4 Bolt Pattern

Please Fill in the Boxes



### Typical 2 Bolt Pattern



**Weaver**  
Marine Products

Weaver Industries, Inc.

6570 W Boekel Rd · Rathdrum, ID 83858

(800) 367-4062 · (208) 687-3982 · Fax (208) 687-0782

[www.weaverindustries.com](http://www.weaverindustries.com)

Name: \_\_\_\_\_

Address: \_\_\_\_\_

City: \_\_\_\_\_ ST: \_\_\_\_\_ Zip: \_\_\_\_\_

Phone Day: \_\_\_\_\_ Eve: \_\_\_\_\_

Dealer: \_\_\_\_\_

P.O.# \_\_\_\_\_

Weaver industries, is not responsible for any damage occurred from the dinghy and the motor being too heavy for the swim platform. We strongly recommend that you get the maximum weight of the swim platform load confirmed by the Manufacture or Dealer of your yacht.